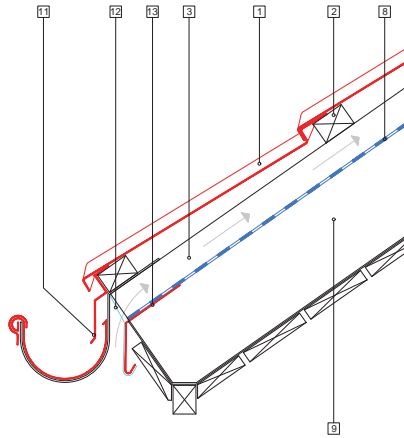


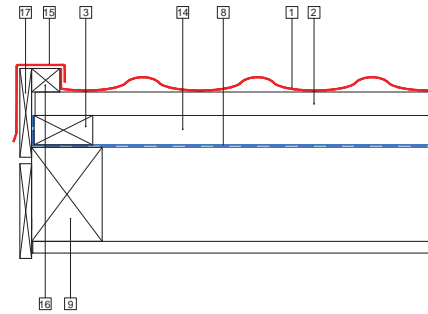
# INTERSECTION DRAWINGS DIAMANT TILE

## EAVES FLASHING



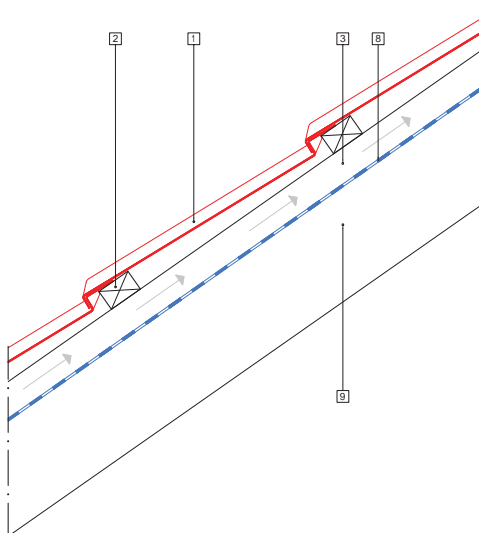
- 1 Tile
- 2 Tile Batten
- 3 Ventilation Space Batten
- 8 Underlay
- 9 Rafter
- 11 Eaves Flashing
- 12 Mesh
- 13 Eaves Guard Flashing

## BOX BARGE



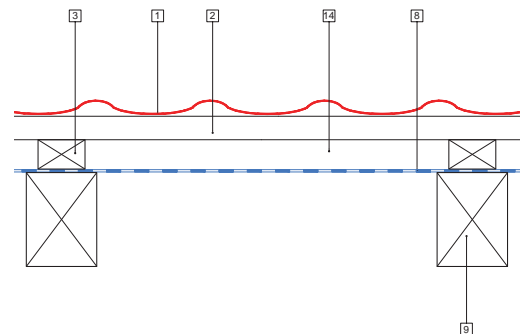
- 1 Tile
- 2 Tile Batten
- 3 Ventilation Space Batten
- 8 Underlay
- 9 Rafter
- 14 Ventilation Space
- 15 Box Barge
- 16 Gable Batten
- 17 Barge Board

## BASIC PRINCIPLE 1



- 1 Tile
- 2 Tile Batten
- 3 Ventilation Space Batten
- 8 Underlay
- 9 Rafter

## BASIC PRINCIPLE 2

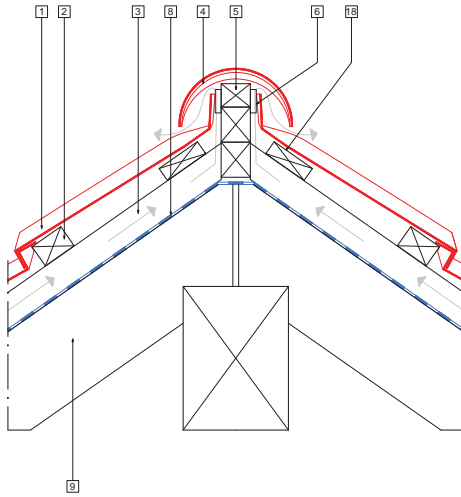


- 1 Tile
- 2 Tile Batten
- 3 Ventilation Space Batten
- 8 Underlay
- 9 Rafter
- 14 Ventilation Space

All the intersection drawings are available in full A4 format upon request.

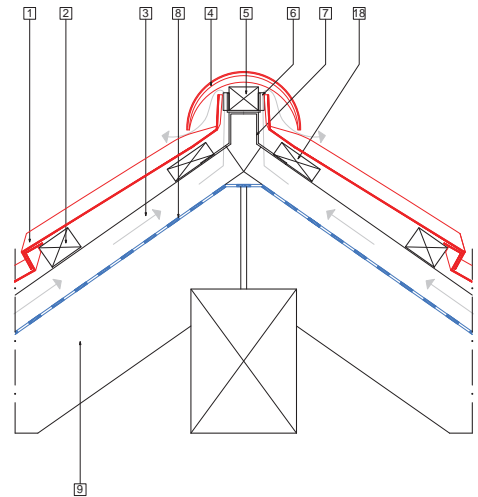
# INTERSECTION DRAWINGS DIAMANT TILE

## RIDGE



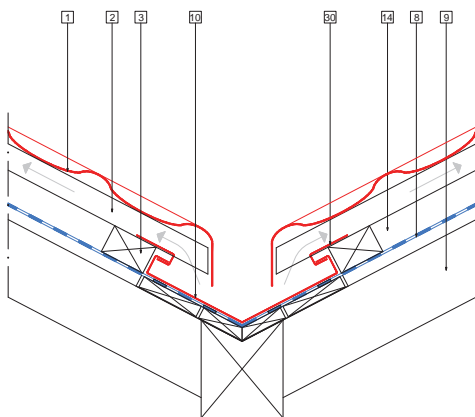
- 1 Tile
- 2 Tile Batten
- 3 Ventilation Space Batten
- 4 Barrel
- 5 Ridge Batten
- 6 Spacer
- 8 Underlay
- 9 Rafter
- 18 Thinner Support Batten

## RIDGE 1



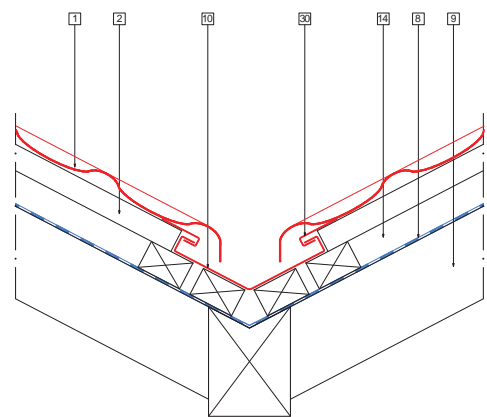
- 1 Tile
- 2 Tile Batten
- 3 Ventilation Space Batten
- 4 Batten
- 5 Ridge Batten
- 6 Spacer
- 7 Ridge Bracket
- 8 Underlay
- 9 Rafter
- 18 Thinner Support Batten

## VALLEY



- 1 Tile
- 2 Tile Batten
- 3 Ventilation Space Batten
- 8 Underlay
- 9 Rafter
- 10 Valley
- 14 Ventilation Space
- 30 Clip

## VALLEY 1

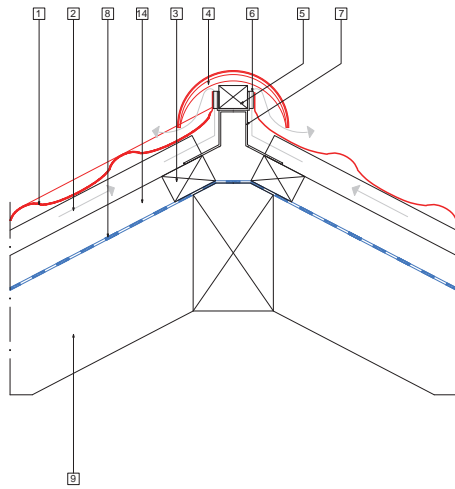


- 1 Tile
- 2 Tile Batten
- 3 Ventilation Space Batten
- 8 Underlay
- 9 Rafter
- 10 Valley
- 14 Ventilation Space
- 30 Clip

All the intersection drawings are available in full A4 format upon request.

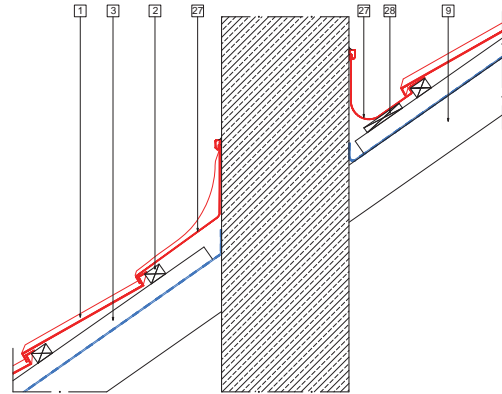
# INTERSECTION DRAWINGS DIAMANT TILE

## HIP



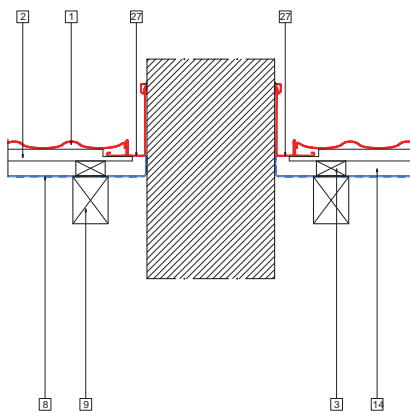
- |                                   |                             |
|-----------------------------------|-----------------------------|
| <b>1</b> Tile                     | <b>6</b> Spacer             |
| <b>2</b> Tile Batten              | <b>7</b> Hip Bracket        |
| <b>3</b> Ventilation Space Batten | <b>8</b> Underlay           |
| <b>4</b> Barrel                   | <b>9</b> Rafter             |
| <b>5</b> Hip Batten               | <b>14</b> Ventilation Space |

## CHIMNEY FLASHING



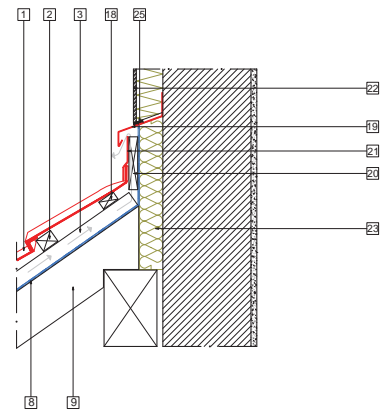
- |                                   |
|-----------------------------------|
| <b>1</b> Tile                     |
| <b>2</b> Tile Batten              |
| <b>3</b> Ventilation Space Batten |
| <b>9</b> Rafter                   |
| <b>27</b> Chimney Flashing        |
| <b>28</b> Board                   |

## CHIMNEY FLASHING



- |                                   |
|-----------------------------------|
| <b>1</b> Tile                     |
| <b>2</b> Tile Batten              |
| <b>3</b> Ventilation Space Batten |
| <b>8</b> Underlay                 |
| <b>9</b> Rafter                   |
| <b>27</b> Chimney Flashing        |

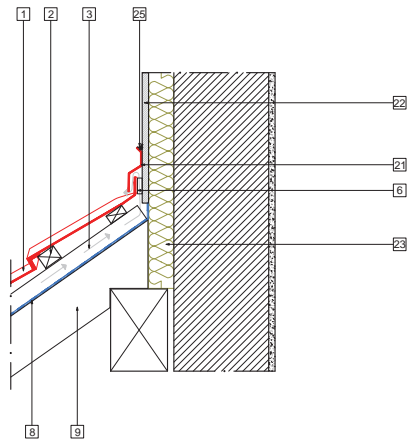
## TOP WALL FLASHING



- |                                   |                                     |
|-----------------------------------|-------------------------------------|
| <b>1</b> Tile                     | <b>19</b> Top Wall Starter Flashing |
| <b>2</b> Tile Batten              | <b>20</b> Top Wall Spacer           |
| <b>3</b> Ventilation Space Batten | <b>21</b> Side Flashing             |
| <b>8</b> Underlay                 | <b>22</b> Render                    |
| <b>9</b> Rafter                   | <b>23</b> Warmth Insulation         |
| <b>18</b> Support Batten          | <b>25</b> Sealant                   |

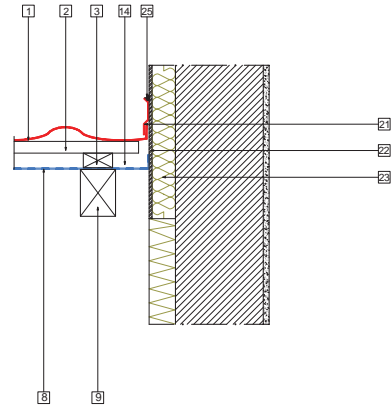
# INTERSECTION DRAWINGS DIAMANT TILE

## TOP WALL FLASHING



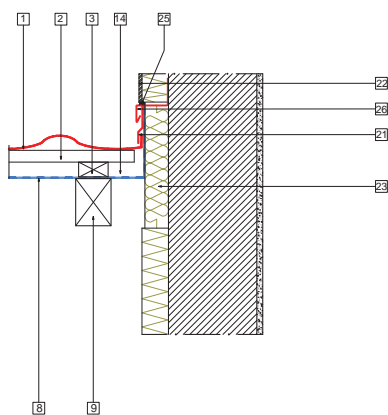
- |                                   |                             |
|-----------------------------------|-----------------------------|
| <b>1</b> Tile                     | <b>21</b> Side Flashing     |
| <b>2</b> Tile Batten              | <b>22</b> Render            |
| <b>3</b> Ventilation Space Batten | <b>23</b> Warmth Insulation |
| <b>6</b> Spacer                   | <b>25</b> Sealant           |
| <b>8</b> Underlay                 |                             |
| <b>9</b> Rafter                   |                             |
| <b>18</b> Support Batten          |                             |

## WALL FLASHING



- |                                   |                             |
|-----------------------------------|-----------------------------|
| <b>1</b> Tile                     | <b>21</b> Side flashing     |
| <b>2</b> Tile Batten              | <b>22</b> Render            |
| <b>3</b> Ventilation Space Batten | <b>23</b> Warmth Insulation |
| <b>8</b> Underlay                 | <b>25</b> Sealant           |
| <b>9</b> Rafter                   |                             |
| <b>14</b> Ventilation Space       |                             |

## WALL FLASHING



- |                                   |                                      |
|-----------------------------------|--------------------------------------|
| <b>1</b> Tile                     | <b>21</b> Side flashing              |
| <b>2</b> Tile Batten              | <b>22</b> Render                     |
| <b>3</b> Ventilation Space Batten | <b>23</b> Warmth Insulation          |
| <b>8</b> Underlay                 | <b>25</b> Sealant                    |
| <b>9</b> Rafter                   | <b>26</b> Side Wall Starter Flashing |
| <b>14</b> Ventilation Space       |                                      |

All the intersection drawings are available in full A4 format upon request.